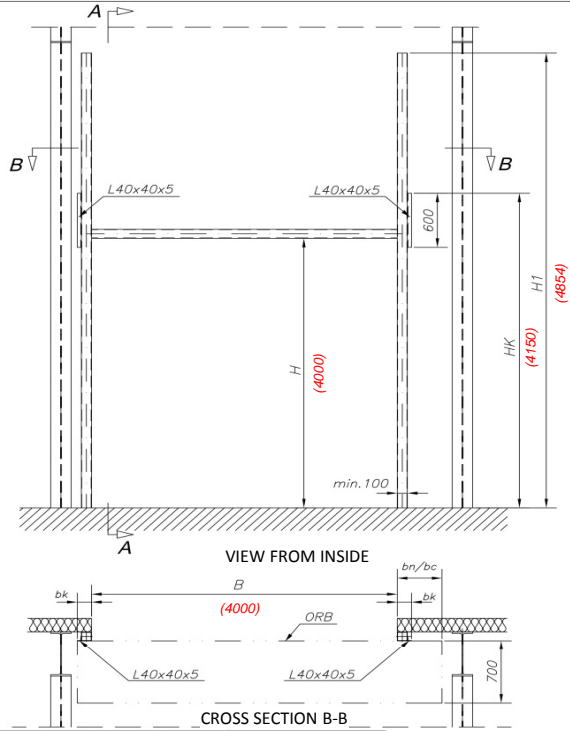
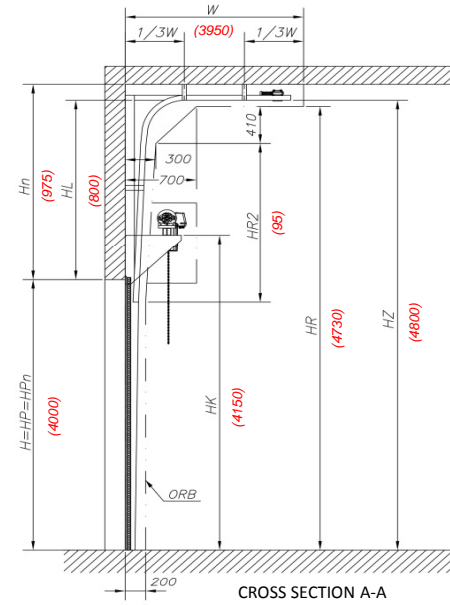
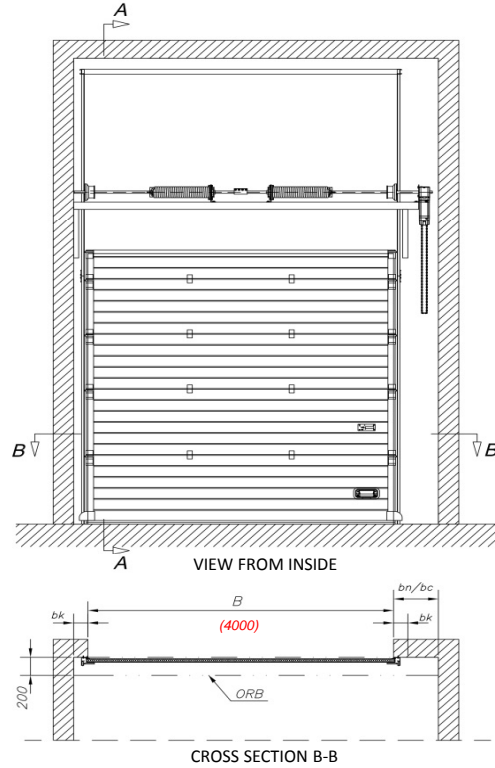


1. The doors are produced to sizes according to actual pricelist KRISPOL.
2. To adjust the picture to selected size it needs to be accordingly enlarged/reduced.
3. The exact value of Wn by using different types of drives according to actual Krispol price
4. Application of the relevant product is a prerequisite for its proper functioning.
5. To select the optimal solution, please contact your representative of Krispol company -->>> www.krispol.eu



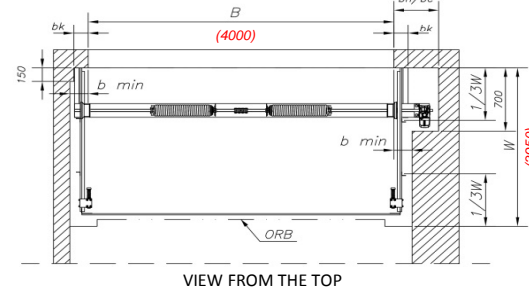
"HL-K" HIGH ON WALL BRACKETS



SYMBOL	SIZE LIMIT [mm]		DIMENSIONS ON THE DRAWING [mm]		
B	max.5500		4000		
H	max.4800	max.5800	4000		
HL	max.900	max.2850	800		
	min.800	min.800			
HK	H+150	H+500	4150		
Hn	HL+175		975		
H1	H+HL+54		4854		
W	H-HL+750		3950		
b _k	min.140		140		
b _{min}	min.180		180		
b _c	min.300		300		
b _n	min.440		440		
HP	H		4000		
HP _n	H		4000		
HR	H+HL-70		4730		
HR2	HL ≤ 900	HL > 900	95		
	95	HL-230			
HZ	H+HL		4800		
P	K2 IS	P=max.32 [m ²]	Q=max.13 [kg/m ²]	16,00[m ²]	208,0 [kg]
		P=max.32 [m ²]	Q=max.13 [kg/m ²]		
	K2 IP	P=max.31 [m ²]	Q=max.13 [kg/m ²]		
		K2 IA	P=max.32 [m ²]		

DESCRIPTION OF DIMENSIONS:

- ORB - workspace of the door
- B - opening width
- H - opening height
- Hn - headroom height
- b_k - sideroom width with mounting bracket
- b_{min} - sideroom width including perforated angles
- b_c - sideroom width on chain mechanism side
- b_n - sideroom width on drive side
- HP - passage height in the hand-operated door
- HP_n - passage height in door with drive
- HL - overlap height
- HR1-2 - workheight
- HZ - height from the floor to the bottom edge of horizontal guide
- HK - height from the floor to the uppr edge of console
- W - built-in depth (hand-operated door)
- H1 - height from the floor to the uppr edge of supporting structure
- Q - curtain's weight [kg/m²]
- P - area of door's curtain [m²]



		KRISPOL Sp. z o.o. ul. Budowlana 1 Psary Małe, 62-300 Września	
INDUSTRIAL SECTIONAL DOOR			
"HL-K" HIGH ON WALL BRACKETS			
Format	A3	Scale	1:50
Type	K2 I	Drawing No	XYZ_K2IS_HL-K_4000x4000_2018-8-7