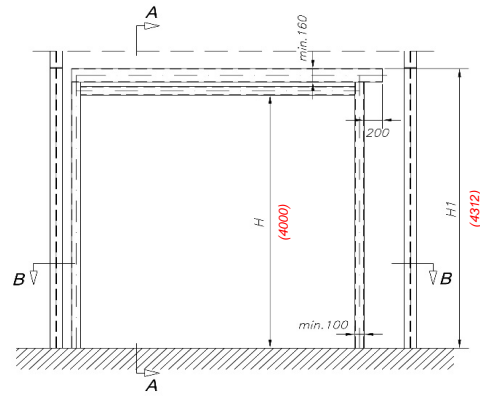
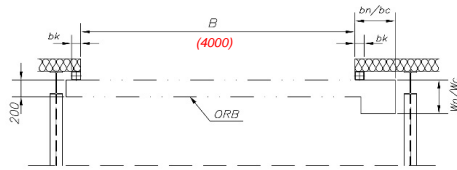


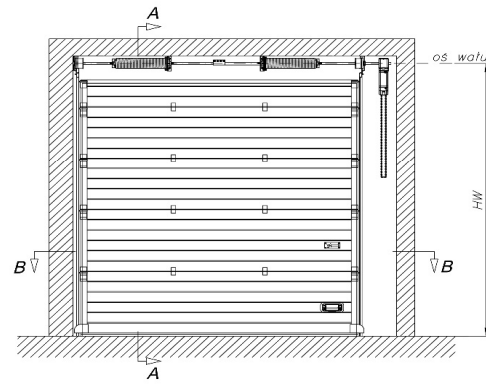
"LHRF" LOW WITH FRONT MOUNTED SPRINGS



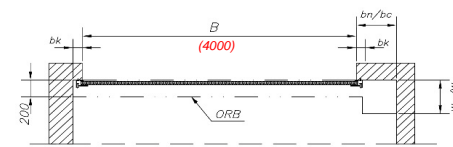
VIEW FROM INSIDE



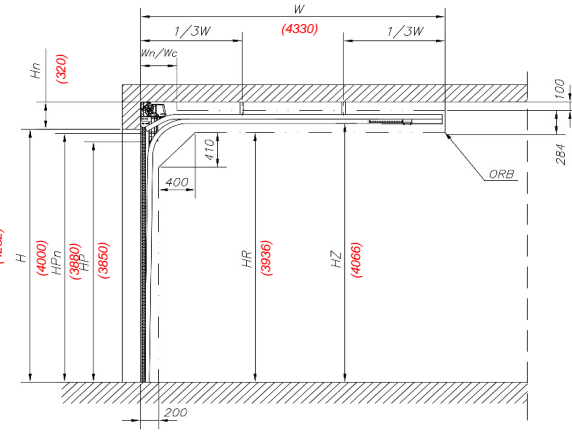
CROSS SECTION B-B



VIEW FROM INSIDE



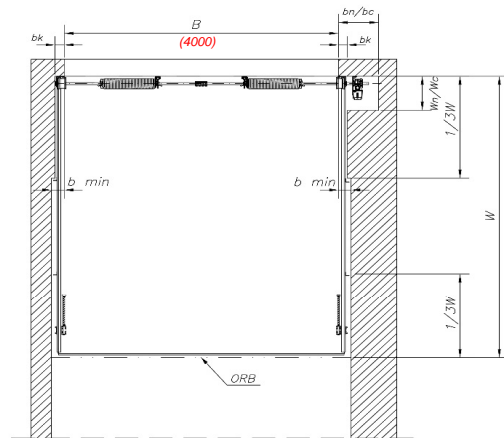
CROSS SECTION B-B



CROSS SECTION A-A

DESCRIPTION OF DIMENSIONS:

- ORB - workspace of the door
- B - opening width
- H - opening height
- Hn - headroom height
- bk - sideroom width with mounting bracket
- b min - sideroom width including perforated angles
- bc - sideroom width on chain mechanism side
- bn - sideroom width on drive side
- HP - passage height in the hand-operated door
- HP+n - passage height in door with drive
- HR - workheight
- HW - height from the floor to axle shaft
- HZ - height from the floor to the bottom edge of horizontal guide
- W - built-in depth (hand-operated door)
- Wn - built-in depth (drive-operated door)
- Wc - built-in depth for chain mechanism
- H1 - height from the floor to the upper edge of supporting structure
- Q - curtain's weight [kg/m²]
- P - area of door's curtain [m²]



VIEW FROM THE TOP

1. The doors are produced to sizes according to actual pricelist KRISPOL.
2. To adjust the picture to selcted size it needs to be accordingly enlarged/reduced.
3. The exact value of Wn by using different types of drives according to actual Krispol price
4. Application of the relevant product is a prerequisite for its proper functioning.
5. To select the optimal solution, please contact your representative of Krispol company ---->>> www.krispol.eu

SYMBOL	SIZE LIMIT [mm]	DIMENSIONS ON THE DRAWING [mm]
B	max.8000	4000
H	max.5000	4000
HW	H+232	4232
H1	H+312	4312
Hn	min.320	320
bk	min.100	100
b min	min.140	140
bc	min.280	280
bn	min.440	440
HP	H-150	3850
HPn	H-120	3880
HR	H-64	3936
HZ	H+66	4066
W	H+330	4330
Wn	400	400
Wc	270	270
P	K2 IS P=max.32 [m ²]	Q=max.13 [kg/m ²]
	K2 IM P=max.32 [m ²]	Q=max.13 [kg/m ²]
	K2 IP P=max.31 [m ²]	Q=max.13 [kg/m ²]
Q	K2 IA P=max.32 [m ²]	Q=max.7 [kg/m ²]

16,00[m²]
208,0 [kg]
112,0[kg]

KRISPOL Sp. z o.o.
ul. Budowlana 1
Psary Małe, 62-300 Września

INDUSTRIAL SECTIONAL DOOR

"LHRF" LOW WITH FRONT MOUNTED SPRINGS

Format A3 Scale 1:50 Type K2 | Drawing No XYZ_K2IS_LHRF_4000x4000_2018-8-7